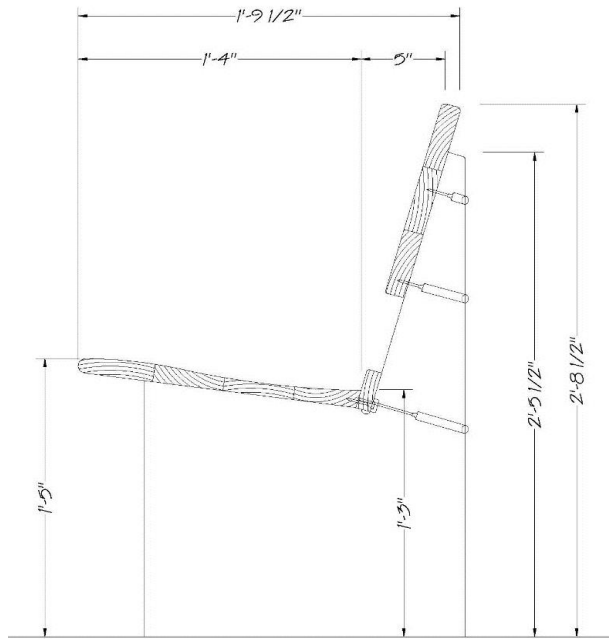


**Seating Specification**  
 Charlotte County  
 New Charlotte County Courthouse  
 15059  
 Date Written 9/20/2017  
 Install Date  
 Revision # 2.00



<b>Tag</b>	S09a	<b>Item</b>	Custom Courtroom Benches
<b>Manufacturer</b>	TBD	<b>Product No./Name</b>	Custom
<b>Description</b>	Custom Wood bench with decorative end panels and open seat back. 2 ply laminated solid Beech hardwoods with custom stain and catalyzed lacquer top coat. No veneers. Contoured seat with radius waterfall front edge. Open rear back with solid upper back support, to have eased edges. Solid full panel intermediary support panels to be spaces approximately 36", distributed equally along length of bench. All fasteners to be concealed, benches must be mechanically fastened to the floor. Construction to comply with AWI Custom Grade standards.		<b>Quantity</b> 8  <b>Unit Net Price*</b> \$ -
<b>Dimensions</b>	Refer to plans and sketch above; 1'9.5" overall depth, 2'8.5" overall height, 1'5" seat height, 13'10" overall length	<b>Lead Time/Avail.</b> 10-12 weeks	<b>Total Net Price*</b> \$ -
<b>Finish/Material</b>	Beechwood solids stained to match Wilsonart Shaker Cherry		
<b>End Panel</b>	To Match Spellman College, shown above; End panel to have curved scroll top cap with raised panel inset and 4" base profile.		

	Room Name	Quantity	Notes
<b>LOCATION</b>	Courtroom 104	6	
	Courtroom 204	2	
<b>NOTES</b>	Vendor must submit shop drawings for approval prior to production		
<b>INSTALL</b>	Charlotte County Courthouse County Of Charlotte 250 LeGrand Avenue Charlotte Court House, VA 23923		<b>REP CONTACT</b>



**Seating Specification**  
 Charlotte County  
 New Charlotte County Courthouse  
 15059  
 Date Written 9/20/2017  
 Install Date  
 Revision # 2.00



<b>Tag</b>	S09b	<b>Item</b>	Custom Courtroom Benches
<b>Manufacturer</b>	TBD	<b>Product No./Name</b>	Custom
<b>Description</b>	Custom Wood bench with decorative end panels and open seat back. 2 ply laminated solid Beech hardwoods with custom stain and catalyzed lacquer top coat. No veneers. Contoured seat with radius waterfall front edge. Open rear back with solid upper back support, to have eased edges. Solid full panel intermediary support panels to be spaces approximately 36", distributed equally along length of bench. All fasteners to be concealed, benches must be mechanically fastened to the floor. Construction to comply with AWI Custom Grade standards.		<b>Quantity</b> 4
<b>Dimensions</b>	Refer to plans and sketch above; 1'9.5" overall depth, 2'8.5" overall height, 1'5" seat height, 10'6" overall length	<b>Lead Time/Avail.</b>	10-12 weeks
<b>Finish/Material</b>	Beechwood solids stained to match Wilsonart Shaker Cherry		<b>Unit Net Price*</b>
<b>End Panel</b>	To Match Spellman College, shown above; End panel to have curved scroll top cap with raised panel inset and 4" base profile.		<b>Total Net Price*</b> \$ -

	Room Name	Quantity	Notes
<b>LOCATION</b>	Courtroom 104	2	
	Courtroom 204	2	
<b>NOTES</b>	Vendor must submit shop drawings for approval prior to production		
<b>INSTALL</b>	Charlotte County Courthouse County Of Charlotte 250 LeGrand Avenue Charlotte Court House, VA 23923		<b>REP CONTACT</b>