

**Charlotte County  
PO Box 608  
250 LeGrande Avenue  
Charlotte Court House, VA 23923**

**ADDENDUM 1**

Date: May 17, 2018  
Reference: RFP # 037-216, Contract for Janitorial Services for Charlotte County  
Bid Due Date: May 30, 2018 at 4:00 pm

---

In response to questions received and issues noted during the pre-proposal conference for RFP #037-216, the following information is being provided.

1. Please provide information regarding the courthouse bathroom soap dispensers & paper towel dispensers. **Specification sheets for these items are provided as an attachment to this addendum. There will be five (5) surface-mounted soap dispensers, twelve (12) lavatory-mounted soap dispensers, and sixteen (16) recessed paper towel dispensers.**
2. **The following areas in the courthouse identified during the site visit will require regular cleaning and are included in the scope of work: The three elevators & the elevator lobby on the basement level**
3. Can you provide information about the current J&DR and Court Services Offices (Item #9 on the list of buildings included in the Scope of Services) that were omitted from the site visit? **Yes. Information related to current use is below. We anticipate that the courtroom will be used as a conference room in the future and the holding cell will be converted into storage space or some other utility use.**

<b>Current Uses</b>	<b>Quantity</b>	<b>Total Square Footage</b>
Bathrooms	3	171
Offices	4	1121
Breakroom	1	148
Waiting Areas	3	773
Courtroom	1	570
Inmate Holding	1	78
Hallways & Entryways	4	725
Closets	2	153

---

Please acknowledge receipt and acceptance of this addendum by completing the section below and returning the addendum with your proposal. Signature on this addendum does not substitute for your signature on the original bid document. The original bid document must be signed.

---

Name of Firm

---

Signature/Title

---

Date

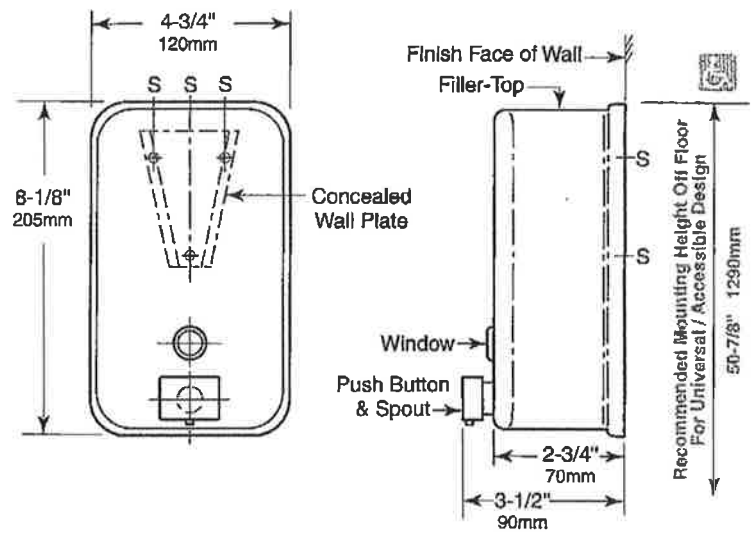
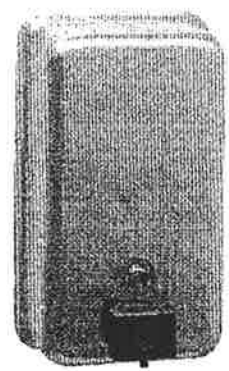
TA-8



**Technical Data**

**ClassicSeries®  
SURFACE-MOUNTED  
SOAP DISPENSER**

**B-2111**



**MATERIALS:**

**Container** — 18-8, Type-304, 22-gauge (0.8mm) stainless steel with satin-finish. Body is drawn, one-piece, seamless construction. Back plate has mounting bracket attached. Furnished with concealed wall plate. Equipped with a clear acrylic refill-indicator window and a locked, hinged stainless steel lid for top filling. Capacity: 40-fl oz (1.2-L).

**Valve** — Black molded plastic push button and spout. Soap head-holding mushroom valve. Stainless steel spring. U-packing seal and duckbill. Antibacterial-soap-resistant plastic cylinder.

**OPERATION:**

Corrosion-resistant valve dispenses commercially marketed all-purpose hand soaps. To prevent corrosion of the tank, use only chloride-free pH-neutral liquid soaps. Valve is operable with one hand, without tight grasping, pinching, or twisting of the wrist, and with less than 5 pounds of force (22.2 N) to comply with accessible design guidelines (including ADAAG in the U.S.A.). Window indicates when refill is required. The locked, hinged lid opens for top filling only with special key provided. Concealed, vandal-resistant mounting.

**INSTALLATION:**

Secure wall plate to the wall with three sheet-metal screws, furnished by manufacturer, at points indicated by an S. Slide mounting bracket of container down onto wall plate and secure unit with furnished locking-screw. For plaster or dry wall construction, provide concealed backing to comply with local building codes and secure with sheet-metal screws furnished. For other wall surfaces, provide fiber plugs or expansion shields for use with sheet-metal screws furnished, or provide 1/8" (3mm) toggle bolts or expansion bolts.

**Note:** Surface-mount the dispenser plumb and true with valve 6" (150mm) to right or left of lavatory center. Provide 4" (100mm) minimum clearance from the lid to the underside of any horizontal projection. Push buttons should be located 44" (1120mm) maximum above the finish floor.

**SPECIFICATION:**

Surface-mounted soap dispenser shall be Type-304 stainless steel with satin-finish. Corrosion-resistant valve shall dispense commercially marketed all-purpose hand soaps, non-iodine based soaps and do not use alcohol based sensitizers. To prevent corrosion of the tank, use only chloride-free pH-neutral liquid soaps. Valve shall be operable with one hand and with less than 5 pounds of force (22.2 N) to comply with accessible design guidelines (including ADAAG in the U.S.A.). Container shall be equipped with a clear acrylic refill-indicator window; a locked, hinged stainless steel lid for top filling; and shall have a capacity of 40-fl oz (1.2-L). Unit shall have concealed, vandal-resistant mounting.

Surface-Mounted Soap Dispenser shall be Model B-2111 of Bobrick Washroom Equipment, Inc., Clifton Park, New York; Jackson, Tennessee; Los Angeles, California; Bobrick Washroom Equipment Company, Scarborough, Ontario; Bobrick Washroom Equipment Pty. Ltd., Australia; and Bobrick Washroom Equipment Limited, United Kingdom.

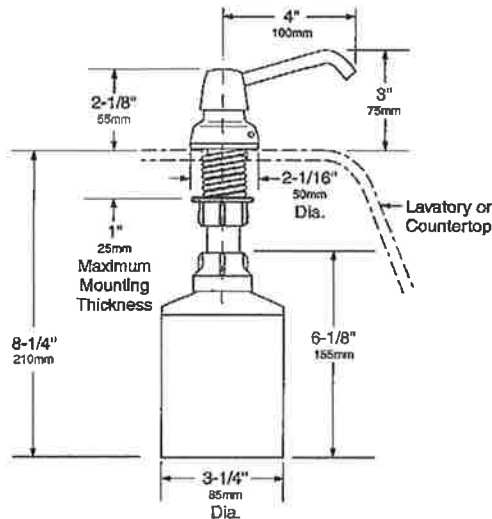
TA-9



**Technical Data**

**LAVATORY-MOUNTED SOAP DISPENSER**

**B-8221**



**MATERIALS:**

**Piston, Spout, and Top Cover** — Type-304 stainless steel with bright polished finish.

**Cover Spacer** — Rigid, impact-resistant polyester.

**Escutcheon** — Chrome-plated, high-impact-resistant ABS with bright polished finish. Concealed locking mechanism.

**Body and Shank** — High-impact-resistant plastic.

**Valve** — ABS cylinder. Stainless steel spring. U-packing seal and duckbills.

**Container** — Translucent, shatter-resistant polyethylene. Capacity: 20-fl oz (0.6-L).

**OPERATION:**

Press piston down to dispense commercially marketed all purpose hand soaps. Vandal-resistant spout can rotate 360° without damage to unit. Escutcheon locks to body with concealed locking mechanism that is opened with special key provided. To fill from top, unlock cover and remove piston, spout, and supply-tube assembly. Unit may also be filled by removing container from below lavatory.

*Designer's Note:* Bobrick liquid soap dispensers are designed to dispense commercially marketed all purpose hand soaps including liquid and lotion soaps, synthetic detergents, non-iodine based soaps and do not use alcohol based sensitizers.

**INSTALLATION:**

Unit is designed for installation in 1" (25mm) diameter hole in porcelain-enameled steel, cast-iron or vitreous-china lavatories, as well as in countertops adjacent to lavatories. Unit may be mounted in unused faucet hole or through special hole requisitioned when lavatory is ordered from manufacturer (specify punching location). Shank accommodates maximum 1" (25mm) mounting thickness and can be cut in the field. Clearance required for container diameter is 3-5/16" (85mm).

**SPECIFICATION:**

Lavatory-mounted soap dispenser shall dispense commercially marketed all purpose hand soaps. Piston and spout assembly shall be Type-304 stainless steel with bright polished finish. Escutcheon shall lock to body with concealed locking mechanism that is opened only with special key provided. Spout shall rotate 360° without damage to valve mechanism. Piston, spout, and supply-tube assembly shall be removable from top for filling and maintenance. Valve shall be equipped with plastic cylinder, stainless steel spring, U-packing seal, and duckbills. Shank shall accommodate mounting thicknesses up to 1" (25mm). Translucent, shatter-resistant polyethylene container shall have a capacity of 20-fl oz (0.6-L).

**Lavatory-Mounted Soap Dispenser shall be Model B-82216 of Bobrick Washroom Equipment, Inc., Clifton Park, New York; Jackson, Tennessee; Los Angeles, California; Bobrick Washroom Equipment Company, Scarborough, Ontario; Bobrick Washroom Equipment Pty. Ltd., Australia; and Bobrick Washroom Equipment Limited, United Kingdom.**

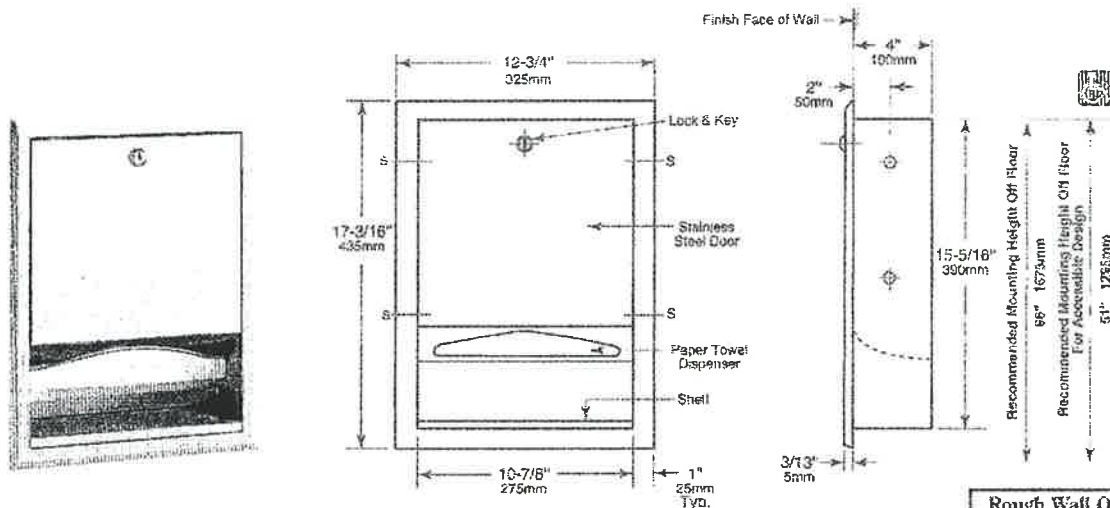
TA-10



Technical Data

# RECESSED PAPER TOWEL DISPENSER

# B-359



Rough Wall Opening	
11-1/4"	(285mm) wide
15-5/8"	(395mm) high
4"	(102mm) minimum recessed depth

### MATERIALS:

**Cabinet** — 18-8, type-304, heavy-gauge stainless steel. All-welded construction. Exposed surfaces have satin finish.

**Flange** — 18-8, type-304, 22-gauge (0.8mm) stainless steel with satin finish. Drawn, one-piece, seamless construction.

**Door** — 18-8, type-304, 22-gauge (0.8mm) stainless steel with satin finish. Double-pan-back construction is warp-resistant. Secured to cabinet with a welded, full-length stainless steel piano-hinge. Equipped with a stainless steel cable door-swing limiter and tumbler lock keyed like other Bobrick washroom accessories.

**Paper Towel Dispenser** — 18-8, type-304, 22-gauge (0.8mm) stainless steel. Dispenses C-fold or multifold paper towels. Capacity: 350 C-fold or 475 multifold paper towels.

**Shelf** — 18-8, type-304, 22-gauge (0.8mm) stainless steel with satin finish.

**Optional:** Order Bobrick Part No. 389-130 TowelMate® Accessory Module has towel guide angle with 90 degree return to prevent paper towels from falling forward out when door is opened for servicing. TowelMate Accessory Support Rod allows dispenser to dispense paper towels one at a time without tabbing, tearing, bulging, sagging and bunching.

### OPERATION:

Paper towel dispenser will dispense C-fold or multifold paper towels without adjustment or use of adapters.

### INSTALLATION:

Provide framed rough wall opening 11-1/4" wide x 15-5/8" high (285 x 395mm). Minimum recessed depth required to finish face of wall is 4" (102mm). Allow clearance for construction features that may protrude into rough wall opening from opposite wall. Coordinate with mechanical engineer to avoid pipes, vents, and conduits in wall. Mount unit in wall opening with shims between framing and cabinet at all points indicated by an S, then secure unit with #8 x 1-1/4" (32mm) sheet-metal screws (not furnished by manufacturer).

### SPECIFICATION:

Recessed paper towel dispenser shall be type-304 stainless steel with all-welded construction; exposed surfaces have satin finish. Flange shall be drawn, one-piece, seamless construction. Door shall be secured to cabinet with a welded, full-length, stainless steel piano-hinge and equipped with a stainless steel cable door-swing limiter and tumbler lock keyed like other Bobrick washroom accessories. Shelf shall be stainless steel with satin finish. Paper towel dispenser shall dispense 350 C-fold or 475 multifold paper towels without additional adapters or trays.

Recessed Paper Towel Dispenser shall be Model B-359 of Bobrick Washroom Equipment, Inc., Clifton Park, New York; Jackson, Tennessee; Los Angeles, California; Bobrick Washroom Equipment Company, Scarborough, Ontario; Bobrick Washroom Equipment Pty., Australia; and Bobrick Washroom Equipment Limited, United Kingdom.